

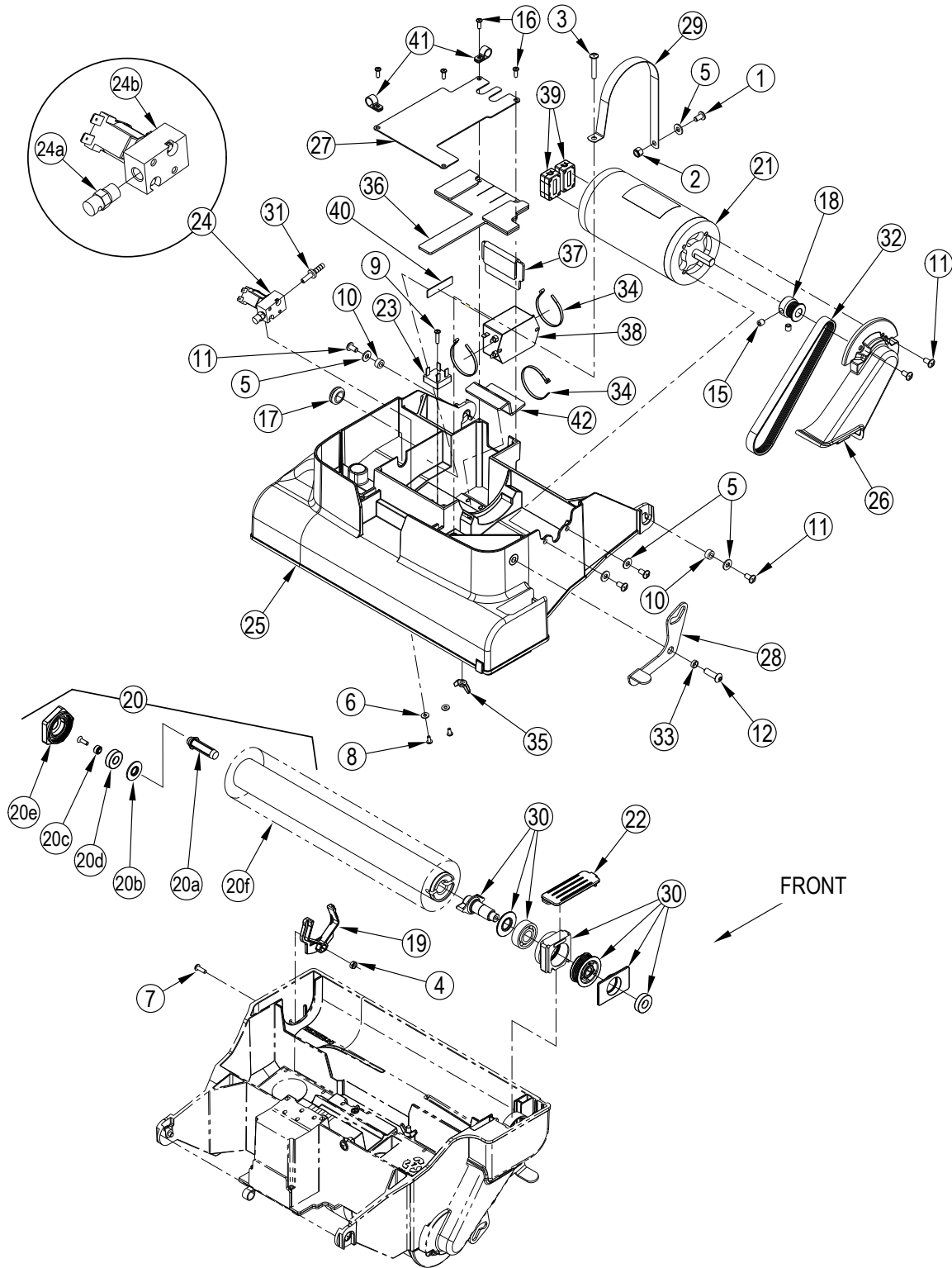
PARTS LIST



2020.10.29

TABLE OF CONTENTS

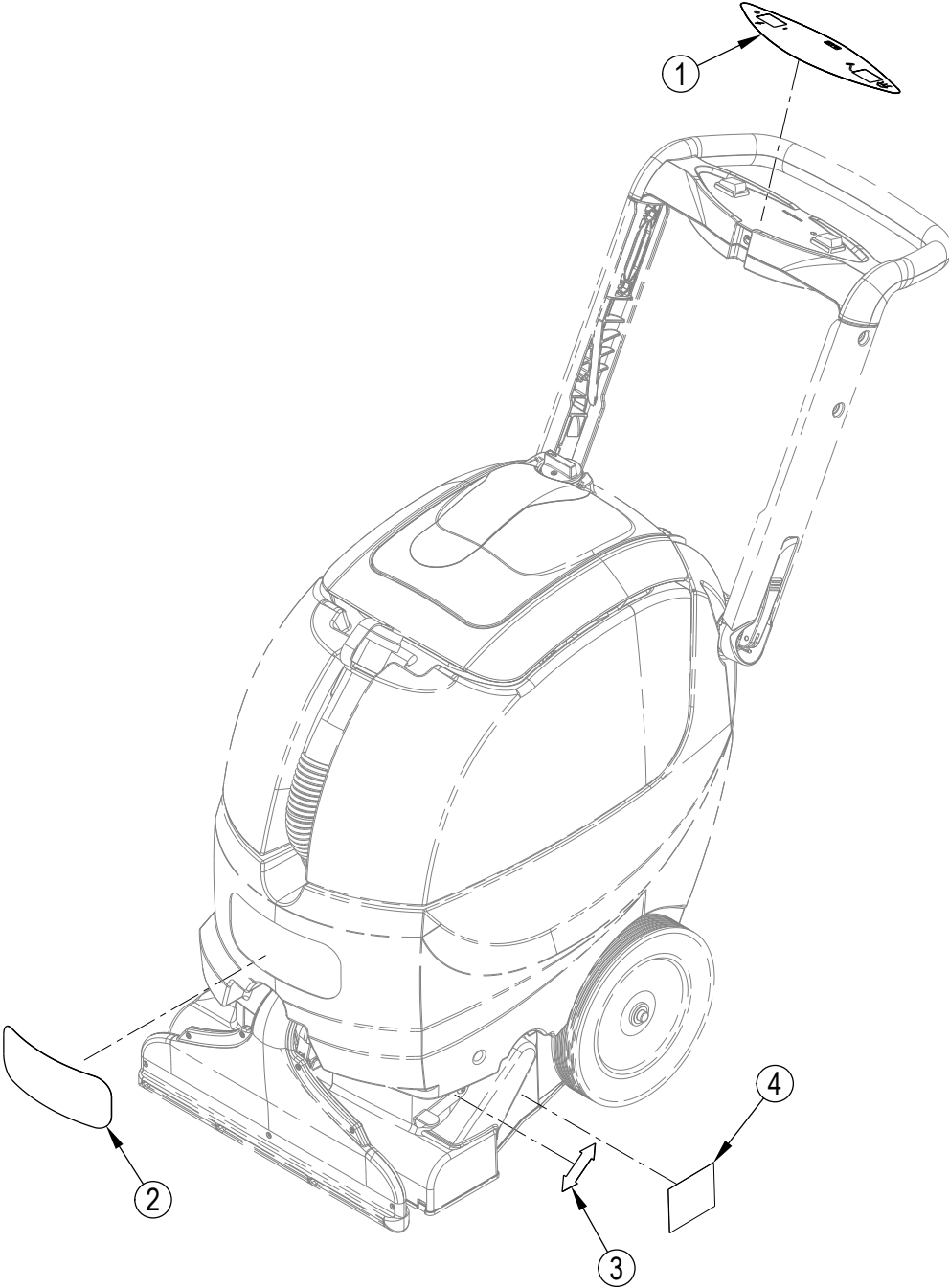
Base System	1
Decal System	4
Handle System	6
Recovery System	8
Solution System-1	10
Solution System-2	13
Ladder Diagram	16
Options & Accessories	18



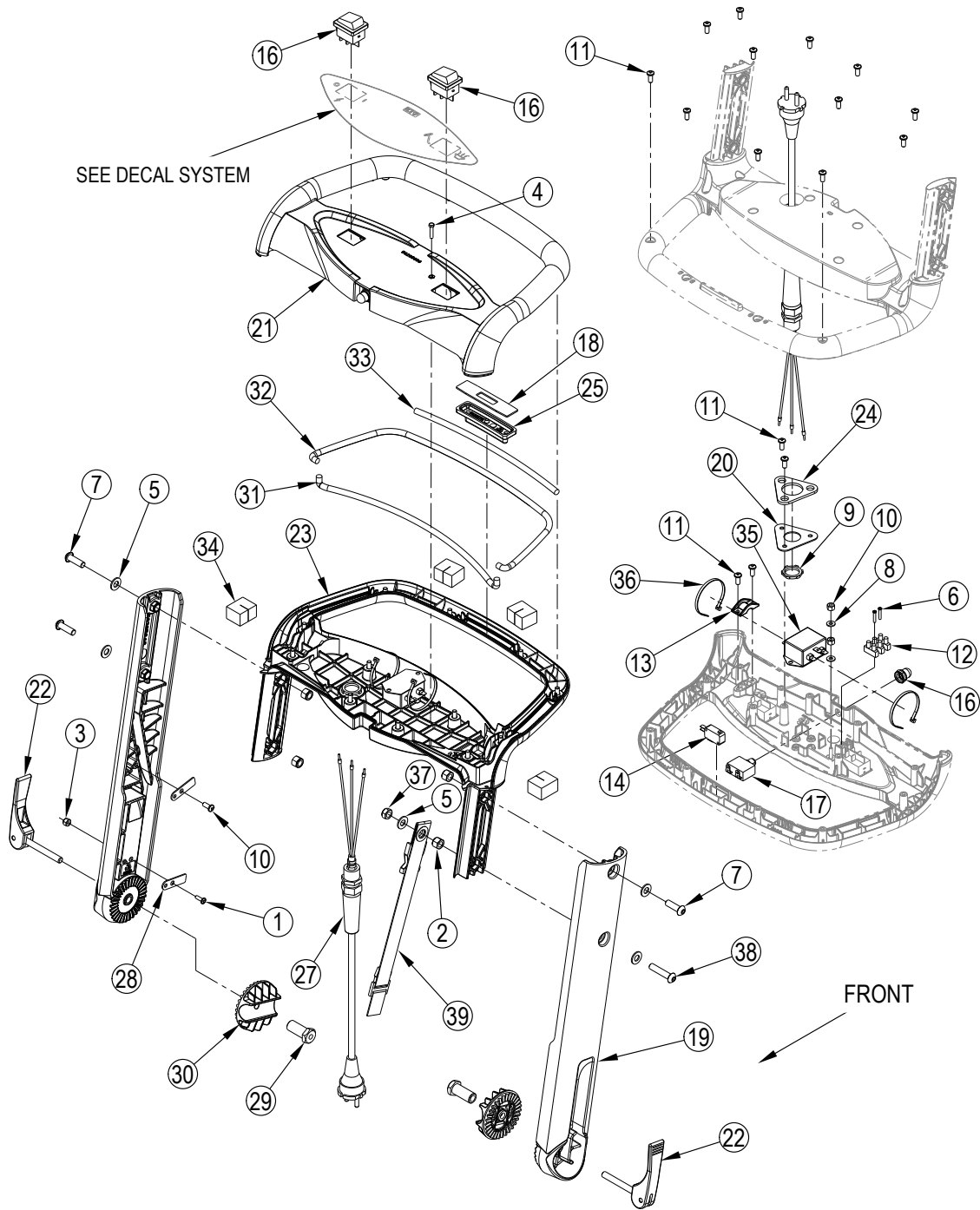
Pos.	Artikelnummer	Hoeveelheid	Omschrijving	Notes
1	56002145	1	Schroef	
2	56002491	1	Moer	
3	56002905	1	Schroef 1/4-20x1.50	
4	56002849	1	Thin nyl loc nut	
5	56002859	5	Ring	
6	56002875	2	WSH FLT SAE SS #8	
7	56002896	1	Schroef	
8	56003018	2	SCREW 8-32 X 3/8 PHN PH SS	
9	56003545	1	Schroef	
10	56265782	2	BUSHING-.26X.50X.25 LONG	
11	56003897	6	SCR PAN PHIL LOC SS 1/4 20X.50	
12	56003963	1	SCR-BUTTON SOC SS 5/16-18X1.00	
15	56009131	2	SCR SOC SET LOC 5/16-18X.31	
16	56003093	4	Schroef	
17	56157376	1	GROMMET 1 OD X 9/16 ID X 5/	
18	56262558	1	Poelie	
19	56265043	1	Clip borstelhouder	
20	56265044	1	Borstel standaard AX 410	
20a	56262644	1	SPINDLE	[1]
20b	56262646	1	WASHER	[2]
20c	56262649	1	Plug bearing	[2]
20d	56262626	1	Lager borstel AX3-400	
20e	56265045	1	BLOCK BEARING	
20f	56265046	1	BRUSH 16	
21	56265076	1	MOTOR 230VDC 1/3HP	
22	56265091	1	Deksel poulie voor	
23	56265103	1	RECTIFICATOR	
24	56265571	1	Nozzle klep assy 240 V restore	
24a	56265052	1	Sproeikop	
24b	56265561	1	VALVE-SOLENOID-230V	[3]
25	56265818	1	BASE 16 ASSEMBLY	
26	56265629	1	COVER-BELT	
27	56265657	1	COVER-ELECTRICAL	
28	56265794	1	LEVER-BRUSH STORAGE	
29	56265676	1	STRAP-MOTOR	
30	56265690	1	BEARING-SPINDLE KIT	
		1	Bearing, Ball	
		1	Washer, Bearing	
		1	Bearing, Block	
		1	Spindle, Drive	
		1	Bearing Block-Drive	
		1	Sheave-Poly-V-6j17	
		1	Ring Ball .6693 Cv25d 1	
31	56265692	1	ADAPTER-.25 STEM-.25 BARB	
32	56315321	1	Snaar	
33	56381818	1	BUSHING .32X.44X.14	
34	56478246	3	Kabel bEn	
35	56009111	1	Vleugelmoer s.s. 1/4 20	
36	56265790	1	GASKET-BASE-ELEC COMPARTMENT	
37	56265788	1	GASKET-BASE-REAR	
38	56265811	1	EMI FILTER ASSY	
39	56265813	2	EMI FERRITE CORE-0.7X0.9X1.6	
40	56383127	1	TAPE-HEAVY DUTY ADHESION 3IN	
41	56056903	2	CLAMP LOOP E00129	
42	56265816	1	GASKET-WATER SHIELD	
	56384746	1	HARNES-BASE	

Part Notes:

- [1] - EXPIRED 20.03.12
- [2] - GUARANTEE DATE EXPIRED
- [3] - TSB-FC-2020-014 ES300 Solenoid valve failure



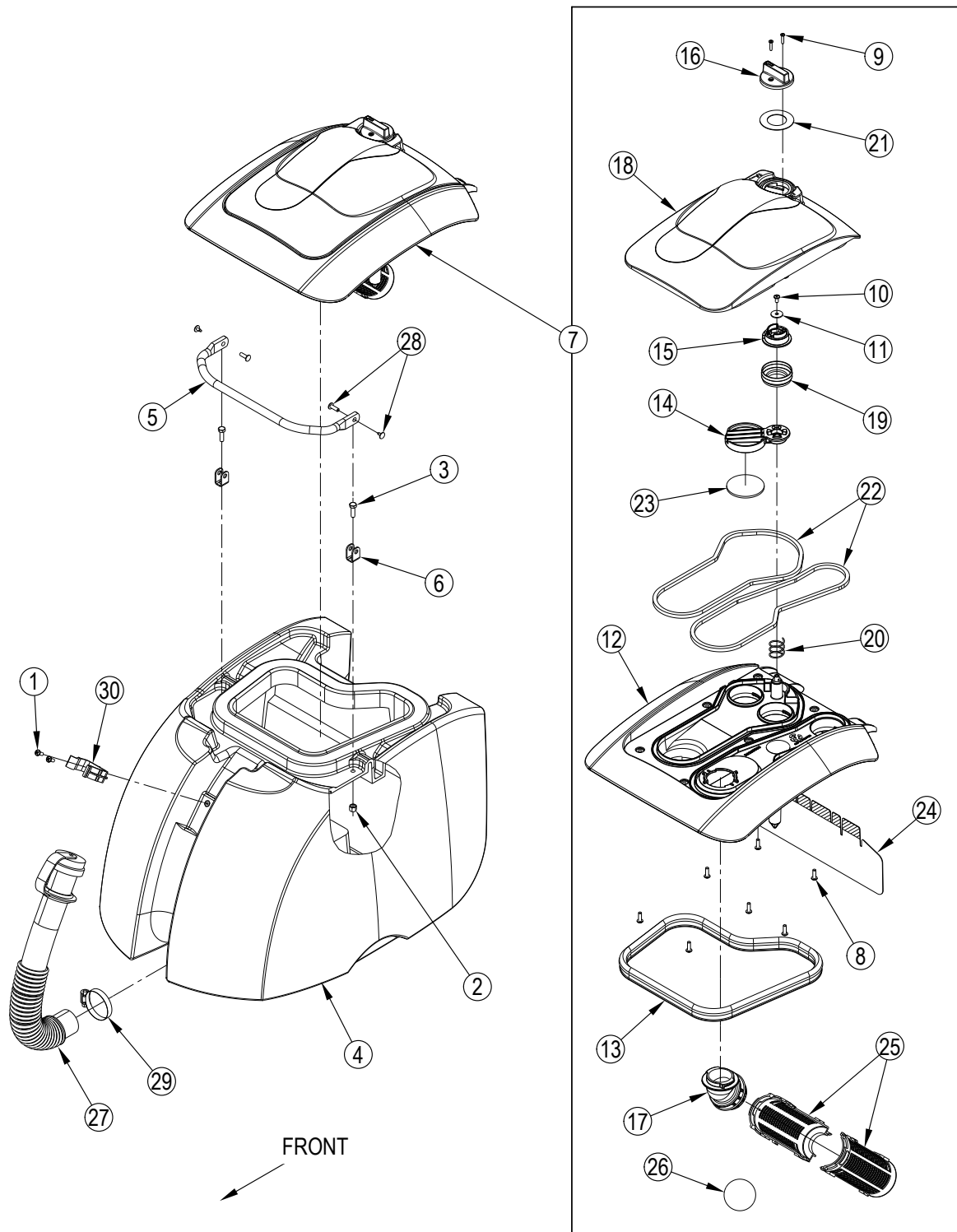
Pos.	Artikelnummer	Hoeveelheid	Omschrijving	Notes
1	56265727	1	DECAL-PANEL-ST	
2	56265729	2	DECAL-ES300 NILFISK	
3	56265750	1	DECAL-STORAGE LOCK	
4	56265792	1	DECAL-CRI GOLD	



Pos.	Artikelnummer	Hoeveelheid	Omschrijving	Notes
1	56002146	1	SCR PAN PHIL 8-32 X .62	
2	56002701	4	Moer	
3	56002808	1	NUT HEX NYL LOC 8-32	
4	56002874	1	SCR HEX SS 8-32 X .75	[1]
5	56002938	4	WASHER	
6	56003092	2	SCR.PAN.PHIL.4-20X .62PLASTITE	
7	56003963	4	SCR-BUTTON SOC SS 5/16-18X1.00	
8	56009010	2	WSH INT SHPRF 8	
9	56009095	1	Borgmoer 1/2-14	
10	56009148	2	VIJS BA 600	
11	56009191	17	FILTERTJES	
12	56183523	1	TERMINAL BLOCK	
13	56264119	1	Klem snoer	[2]
14	56265098	1	SWITCH SPDT SNAP ACTION	[3]
15	56265547	1	HARNES-MAIN	[4]
16	56265549	2	SWITCH-ROCKER-DPST	[5]
17	56265550	1	CIRCUIT BREAKER-W/BOOT-5A	[6]
18	56265564	1	PLATE-SWITCH RETAINER	
19	56265648	2	HANDLE TUBE-RATCHET	
20	56265659	1	PLATE-CORD MOUNTING	
21	56265666	1	HANDLE-TOP COVER-ST	
22	56265682	2	LEVER-LOCKING ASSEMBLY	
23	56265693	1	HANDLE-BOTTOM COVER-ST	
24	56265698	1	GASKET-CORD MOUNT	
25	56265715	1	BUTTON-HANDLE	
26	56265716	1	HARNES-ADAPTER	[4]
27	56265717	1	CORD SET-45.50	
28	56265748	2	RETAINER-HARNES	
29	56265752	2	BUSHING-CAM ADJUSTMENT	
30	56265815	2	RATCHET HANDLE ADJUSTER	[7]
31		1	Seal-Upper Handle	[8]
32		1	Seal-Main Handle	[8]
33		1	Seal-Lower Handle	[8]
34		4	Shield-Water	[8]
35	56265812	1	EMI FILTER ASSY	
36	56478246	2	Kabel bEn	
37	56002851	1	Moer nyl loc dun SS5/16-18	
38	56003984	1	SCR-BUTTON SOC SS 5/16-18X1.50	
39	56265639	1	STRAP/BUCKLE ASSEMBLY	
			SERVICE KIT	
K1	56265806	1	HANDLE SEAL KIT	[9]

Part Notes:

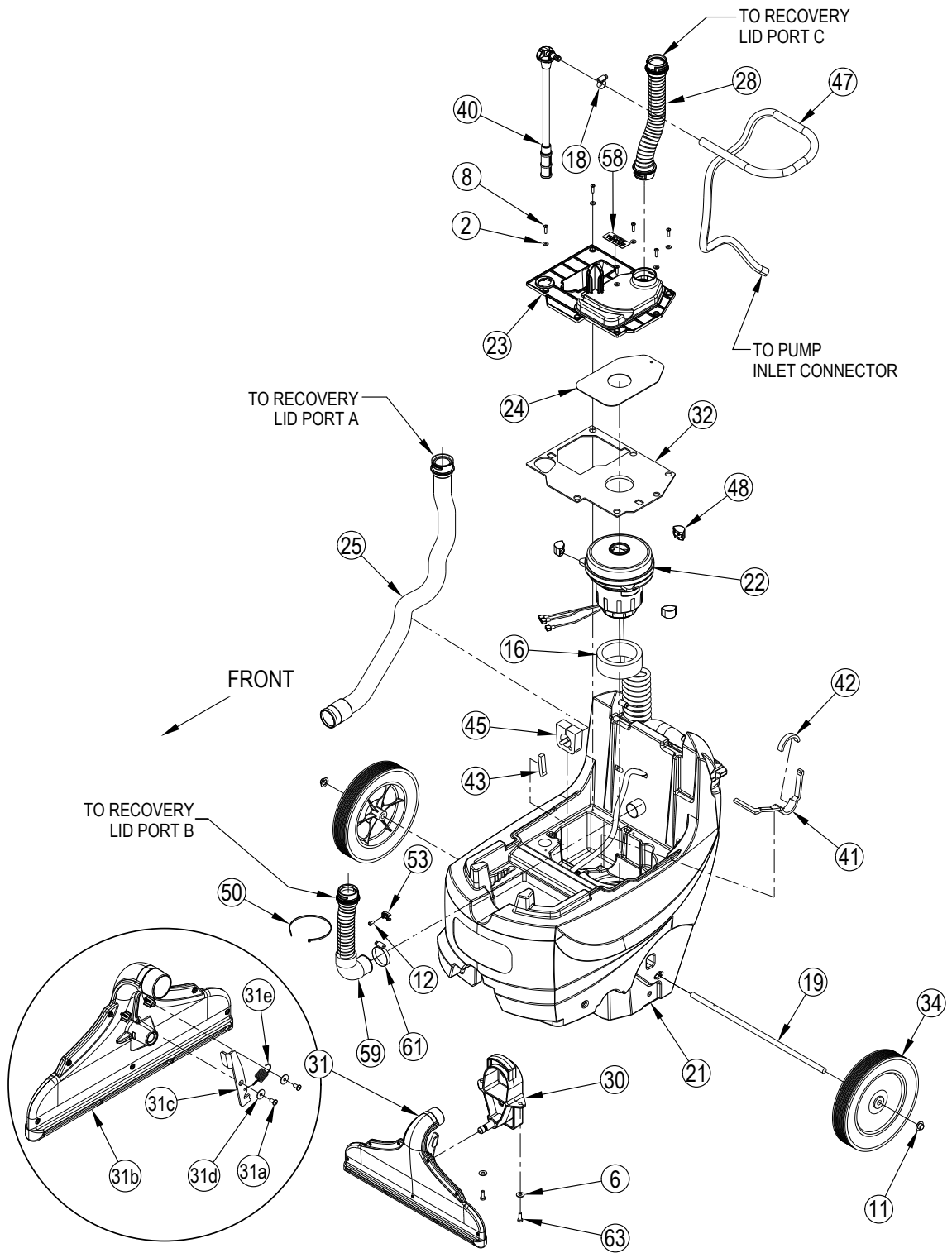
- [1] - Closed SEE MI-SP-007
- [2] - GUARANTEE DATE EXPIRED
- [3] - S4
- [4] - Not Shown
- [5] - S1
- [6] - CB1
- [7] - EU USE LOCAL ITEM 9097228000
- [8] - Part of K1
- [9] - Kit including pos. 31,32,33,34



Pos.	Artikelnummer	Hoeveelheid	Omschrijving	Notes
1	56002900	2	SCR PAN PHIL SS 10-24 X 0	
2	56003426	2	Borgmoer 6 mm	
3	56003454	2	Schroef	
4	56265523	1	RECOVERY TANK-16	
5	56265793	1	HANDLE-TANK RECOVERY	
6	56265630	2	BRACKET-HANDLE RETAINER	
7	56265660	1	RECOVERY LID ASSEMBLY	
8	56002896	7	Schroef	
9	56003197	2	SCR PAN PHIL PLASTITE 6-18X.62	
10	56003913	1	SCR-PAN PHIL LOC SS 10-24X.38	
11	56009349	1	WSH FLT SS .204X.750X.050	
12	56265589	1	LID-RECOVERY TANK	
13	56265604	1	GASKET-RECOVERY TANK	
14	56265799	1	PADDLE-VALVE	
15	56265798	1	ACTUATOR-VALVE	
16	56265795	1	KNOB- VALVE	
17	56265654	1	ADAPTER-BALL FLOAT	
18	56265655	1	COVER-RECOVERY LID	
19	56265681	1	SEAL-DIVERTER VALVE	
20	56265709	1	SPRING-COMPRESSION-SS	
21	56265710	1	SEAL-SELECTOR KNOB	[1]
22	56265737	2	GASKET-LID-PORON-.25X.25	
23	56265738	1	GASKET-PADDLE-PORON-.125X2.38	
24	56265783	1	BARRIER-FLEXIBLE-LID	
25	56324497	2	Vlotterhouder	
26	56391690	1	Vlotterbal	
27	56265685	1	HOSE-DRAIN-1.5 INCH	
28	56265747	2	BINDING POST-QUICK INSTALL	
29	56329145	1	Klem slang	
30	56331154	1	Plastic klem	

Part Notes:

- [1] - DE TSB-FC-2017-034 ES300 ES400 CleanTrack 16 und 18 Pfeifender Schmutzwa...

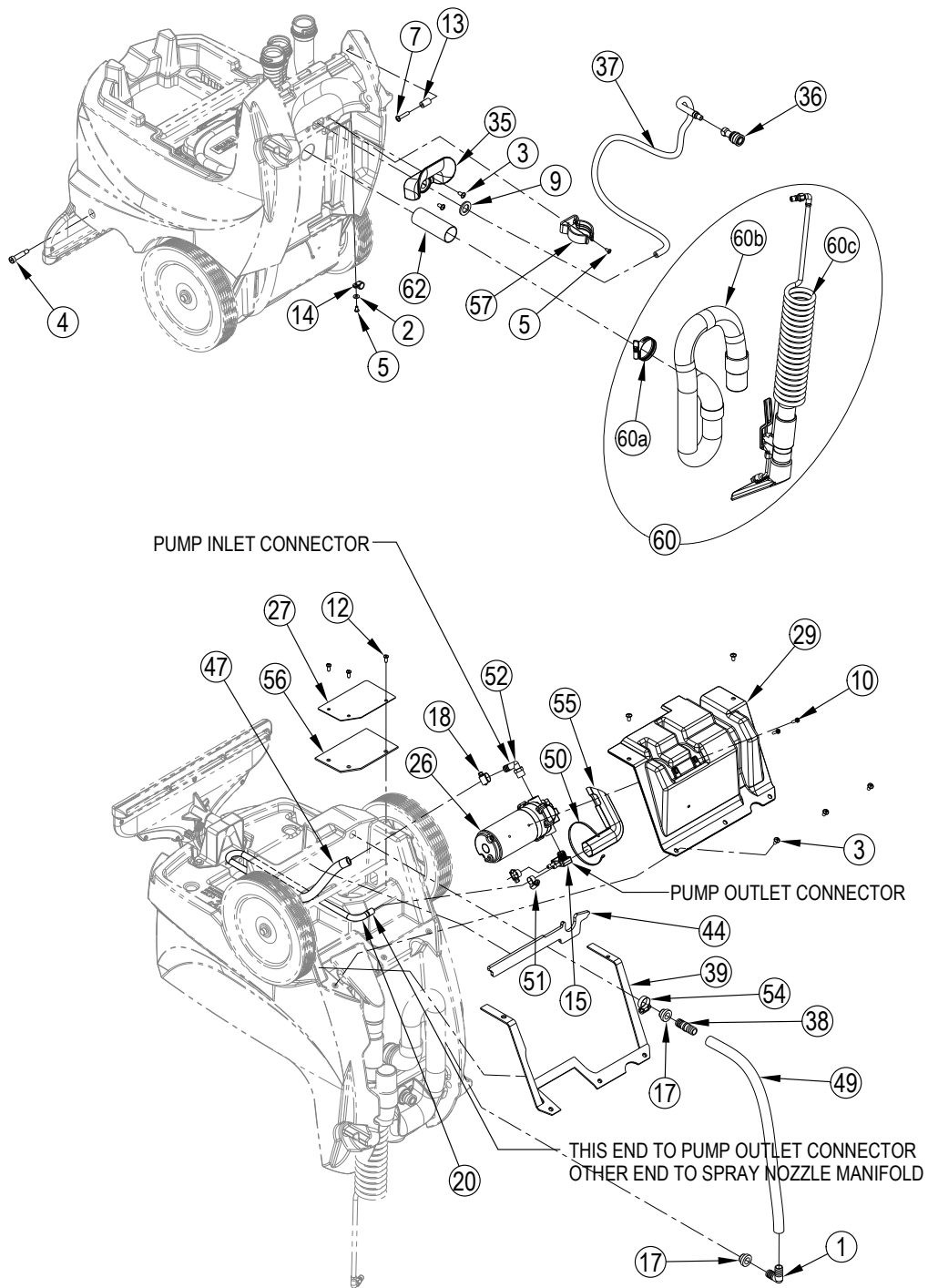


Pos.	Artikelnummer	Hoeveelheid	Omschrijving	Notes
1	832803	1	ELBOW-5/8 HOSE	[1]
2	56209261	8	Ring	[2]
3	56003897	7	SCR PAN PHIL LOC SS 1/4 20X.50	
4	56002624	1	Schroef	
5	56003913	2	SCR-PAN PHIL LOC SS 10-24X.38	
6	56002914	2	WSH FLT STD SS 1/4	
7	56002958	2	SCR PAN PHIL SS 1/4-20 X 1.25	
8	56003091	7	SCR PHIL PLASTITE 10-14 X .75	
9	56009022	1	Ring	
10	56009043	2	SCR PAN PHIL THD FORM10-24X.75	
11	56009097	2	Cap nut SW 650	
12	56009191	4	FILTERTJES	
13	56052237	2	SPACER PHEN--.250X.500X.875	
14	56056903	1	CLAMP LOOP E00129	
15	56109503	1	Dubbele kopping	
16	56116110	1	SEAL-INLET	
17	56116721	2	GROMMET .59X.78X.62IN	
18	56219932	2	Klem slang	
19	56265057	1	AXLE	
20	56265373	1	HOSE 1/4X21.00L E00160	
21	56265522	1	TANK-SOLUTION-16	
22	56265553	1	MOTOR-VACUUM-230V	[3]
	56265684	1	CARBON BRUSH KIT-SET OF 2	
23	56265582	1	COVER-VAC MOTOR	
24	56265583	1	PLATE-VAC MOTOR	
25	56265586	1	VAC HOSE ASSEMBLY-20.00	
26	56265597	1	PUMP-230VAC-120PSI	[4]
27	56265617	1	COVER-VAC INLET	
28	56265625	1	VAC HOSE ASSEMBLY-12.50	
29	56265631	1	COVER-BACK	
30	56265646	1	BRACKET-SHOE	
31	56265650	1	SHOE/LATCH ASSEMBLY- 16	
31a	56009247	2	Schroef PN PHIL PLASTITE 10 14X.38	
31b	56265538	1	SHOE ASSEMBLY-16	
31c	56265796	1	LATCH-SHOE	
31d	1326A	2	WASHER FLAT S.S 10 X 11/1	
31e	54196A	1	SPRING EXTENSION	
32	56265665	1	GASKET-VAC MOTOR COVER	
34	56265697	2	WHEEL-10.00X1.75X.50	
35	56265704	1	HOOK-HOSE STORAGE	
36	56265705	1	SOCKET-QUICK DISCONNECT-1/8NPT	
37	56265708	1	HOSE ASSEMBLY-SOLUTION	
38	56265712	1	COUPLER-BARB-5/8	
39	56265722	1	GASKET-BACKPANEL-SET	
40	56265725	1	SOLUTION FILTER ASSEMBLY-16	
41	56265732	1	GASKET-VAC EXHAUST CHAMBER	
42	56265733	1	GASKET-VAC EXHAUST PORT	
43	56265734	1	GASKET-VAC CHAMBER-SIDE	
44	56265735	1	GASKET-BACKPANEL-BOTTOM	
45	56265739	1	GASKET-SOUND-VAC HOSE	
47	56265766	1	HOSE-SPIRAL-.500 52.00	
48	56315141	3	MOUNT VIBRATION	
49	56265745	1	HOSE-PVC-.63X.88X20.60	
50	56478523	2	Kabel bEn E00549	
51	56756364	2	Slangklem	
52	56109566	1	Slang pilaar 90* 1/2x3/8	
53	909 6595 000	1	bevestigingsklem	
54	56112771	1	Slangklem	

Pos.	Artikelnummer	Hoeveelheid	Omschrijving	Notes
55	56265787	1	BOOT-PUMP	
56	56265789	1	GASKET-VAC-INLET COVER	
57	909 6380 000	1	Klemset tank	[5]
58	56265817	1	DECAL-MAX TEMP	
59	56265626	1	VAC HOSE ASSEMBLY-W/ELBOW	
60	56265767	1	HAND TOOL/HOSES ASSEMBLY	
60b	56265700	1	HOSE ASSEMBLY-HAND TOOL	
60a	56265791	1	CLAMP-HOSE KEYED WORM DRIVE	
60c		1	Hand Tool/Hose Assembly	
61	56329145	1	Klem slang	
62	56381838	1	TUBE ALUM 1 1/2 OD X 4	
63	56003221	2	Schroef HEX LOC SS 1/4 20 X .75	

Part Notes:

- [1] - CLOSED SEE MI-SP-007
- [2] - TSB-FC-2017-061 Extractor leaking water onto vacuum cover
DE TSB-FC-2017-061 ES300 Extraktor undicht
- Implementaon Shipping Date: Sept. 18th, 2017
- Serial Number: 4000147397
- [3] - M2
- [4] - M1
- [5] - To replace, order Clamp Kit 9096380000

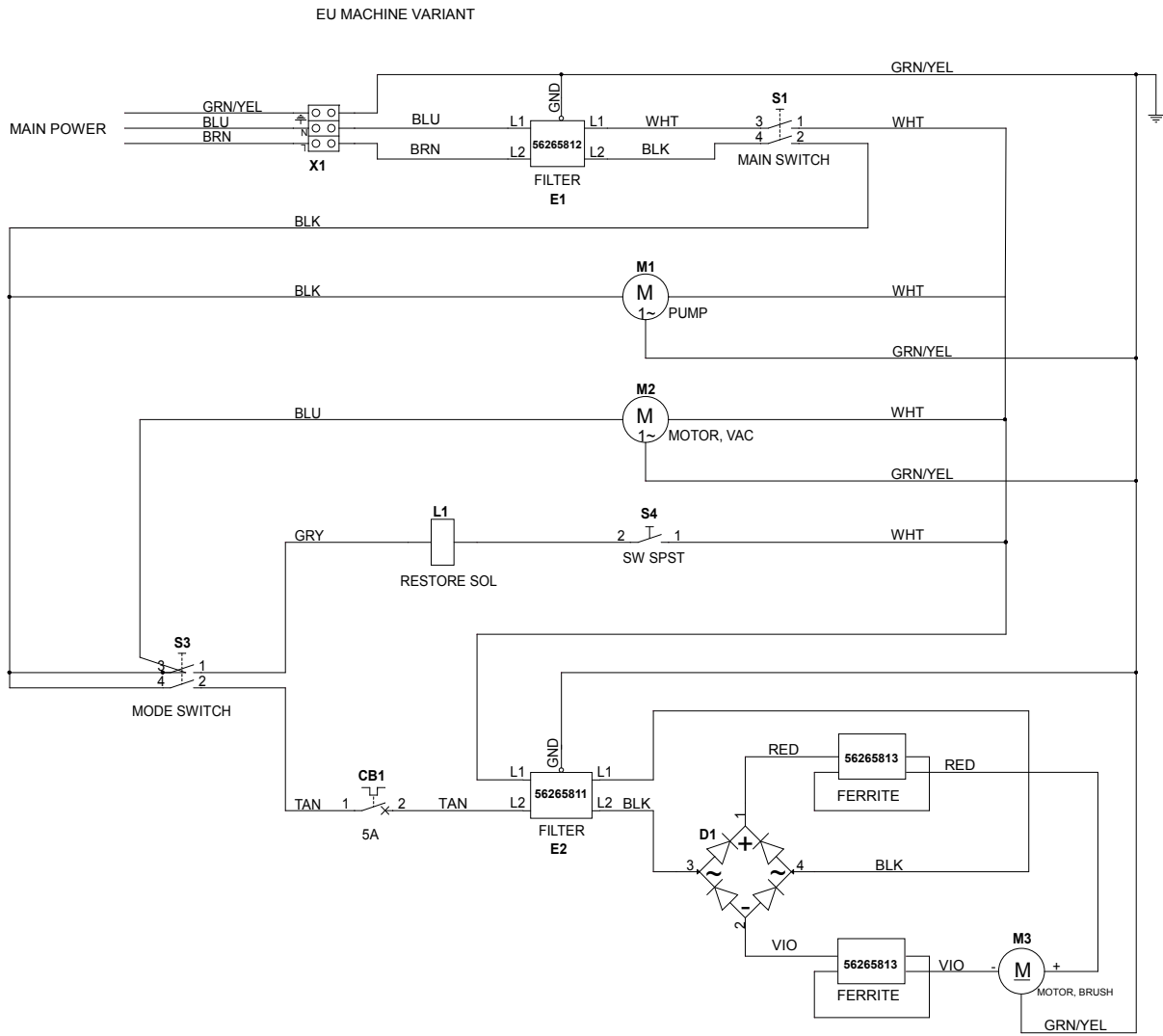


Pos.	Artikelnummer	Hoeveelheid	Omschrijving	Notes
1	832803	1	ELBOW-5/8 HOSE	[1]
2	56001954	8	Schroef	
3	56003897	7	SCR PAN PHIL LOC SS 1/4 20X.50	
4	56002624	1	Schroef	
5	56003913	2	SCR-PAN PHIL LOC SS 10-24X.38	
6	56002914	2	WSH FLT STD SS 1/4	
7	56002958	2	SCR PAN PHIL SS 1/4-20 X 1.25	
8	56003091	7	SCR PHIL PLASTITE 10-14 X .75	
9	56009022	1	Ring	
10	56009043	2	SCR PAN PHIL THD FORM10-24X.75	
11	56009097	2	Cap nut SW 650	
12	56009191	4	FILTERTJES	
13	56052237	2	SPACER PHEN--.250X.500X.875	
14	56056903	1	CLAMP LOOP E00129	
15	56109503	1	Dubbele kopping	
16	56116110	1	SEAL-INLET	
17	56116721	2	GROMMET .59X.78X.62IN	
18	56219932	2	Klem slang	
19	56265057	1	AXLE	
20	56265373	1	HOSE 1/4X21.00L E00160	
21	56265522	1	TANK-SOLUTION-16	
22	56265553	1	MOTOR-VACUUM-230V	[2]
	56265684	1	CARBON BRUSH KIT-SET OF 2	
23	56265582	1	COVER-VAC MOTOR	
24	56265583	1	PLATE-VAC MOTOR	
25	56265586	1	VAC HOSE ASSEMBLY-20.00	
26	56265597	1	PUMP-230VAC-120PSI	[3]
27	56265617	1	COVER-VAC INLET	
28	56265625	1	VAC HOSE ASSEMBLY-12.50	
29	56265631	1	COVER-BACK	
30	56265646	1	BRACKET-SHOE	
31	56265650	1	SHOE/LATCH ASSEMBLY- 16	
31a	56009247	2	Schroef PN PHIL PLASTITE 10 14X.38	
31b	56265538	1	SHOE ASSEMBLY-16	
31c	56265796	1	LATCH-SHOE	
31d	1326A	2	WASHER FLAT S.S 10 X 11/1	
31e	54196A	1	SPRING EXTENSION	
32	56265665	1	GASKET-VAC MOTOR COVER	
34	56265697	2	WHEEL-10.00X1.75X.50	
35	56265704	1	HOOK-HOSE STORAGE	
36	56265705	1	SOCKET-QUICK DISCONNECT-1/8NPT	
37	56265708	1	HOSE ASSEMBLY-SOLUTION	
38	56265712	1	COUPLER-BARB-5/8	
39	56265722	1	GASKET-BACKPANEL-SET	
40	56265725	1	SOLUTION FILTER ASSEMBLY-16	
41	56265732	1	GASKET-VAC EXHAUST CHAMBER	
42	56265733	1	GASKET-VAC EXHAUST PORT	
43	56265734	1	GASKET-VAC CHAMBER-SIDE	
44	56265735	1	GASKET-BACKPANEL-BOTTOM	
45	56265739	1	GASKET-SOUND-VAC HOSE	
47	56265766	1	HOSE-SPIRAL-.500 52.00	
48	56315141	3	MOUNT VIBRATION	
49	56265745	1	HOSE-PVC-.63X.88X20.60	
50	56478523	2	Kabel bEn E00549	
51	56756364	2	Slangklem	
52	56109566	1	Slang pilaar 90* 1/2x3/8	
53	909 6595 000	1	bevestigingsklem	
54	56112771	1	Slangklem	

Pos.	Artikelnummer	Hoeveelheid	Omschrijving	Notes
55	56265787	1	BOOT-PUMP	
56	56265789	1	GASKET-VAC-INLET COVER	
57	909 6380 000	1	Klemset tank	[4]
58	56265817	1	DECAL-MAX TEMP	
59	56265626	1	VAC HOSE ASSEMBLY-W/ELBOW	
60	56265767	1	HAND TOOL/HOSES ASSEMBLY	
60a	56265791	1	CLAMP-HOSE KEYED WORM DRIVE	
60b	56265700	1	HOSE ASSEMBLY-HAND TOOL	
60c		1	Hand Tool/Hose Assembly	
61	56329145	1	Klem slang	
62	56381838	1	TUBE ALUM 1 1/2 OD X 4	
63	56003221	2	Schroef HEX LOC SS 1/4 20 X .75	[5]

Part Notes:

- [1] - CLOSED SEE MI-SP-007
- [2] - M2
- [3] - M1
- [4] - To replace, order Clamp Kit 9096380000.
- [5] - TSB-FC-2016-269



Pos.	Artikelnummer	Hoeveelheid	Omschrijving	Notes
CB1	56265550	1	CIRCUIT BREAKER-W/BOOT-5A	
D1	56265103	1	RECTIFICATOR	
L1	56265746	1	Nozzle klep assy 120 V restore	
M1	56265597	1	PUMP-230VAC-120PSI	
M2	56265553	1	MOTOR-VACUUM-230V	
	56265684		CARBON BRUSH KIT-SET OF 2	[1]
M3	56265076	1	MOTOR 230VDC 1/3HP	
S1	56265549	1	SWITCH-ROCKER-DPST	
S3	56265549	1	SWITCH-ROCKER-DPST	
S4	56265098	1	SWITCH SPDT SNAP ACTION	

Part Notes:

[1] - for 56265553

**No
Diagram
Available**

**Parts List
Only**

Pos.	Artikelnummer	Hoeveelheid	Omschrijving	Notes
			Options	
	56265044	1	Borstel standaard AX 410	[1]
	56265175	1	Borstel harde vloer blauw	
	56262649	1	Plug bearing	[2]
	56262646	1	WASHER	[2]
	56265176	1	Borstel harde vloer 240 grit	
	56265099	1	BRUSH ASSEMBLY 18	[1]
	56265177	1	BRUSH ASSEMBLY BLUE 18 HARD	
	56265178	1	BRUSH ASSEMBLY 240 GRIT 18	
			Accessories	
	56314402	1	Buis tapijt/harde vloer mondstuk	
	56265173	1	Buis tapijtmondstuk	
	56220070	1	Meubelstuk compleet	
	56265305	1	Zuigbuis 30.5 cm mondstuk heavy duty	
	56265309	1	Verloopkit	
	56265753	1	HOSE ASSY-96 IN.	
	56265754	1	HOSE ASSY-184 IN.	
	56265810	1	HAND TOOL ADD-ON KIT	
	56265814	1	HAND TOOL NO-HOSE ADD-ON KIT	
	56265675	1	HARD FLOOR TOOL ASSEMBLY	
	56044698		LITERATURE PACK	

Part Notes:

- [1] - TSB-FC-2017-032 ES300_ES400_CleanTrack 1618 brush assembly maintenance
 [2] - GUARANTEE DATE EXPIRED

Brush Assembly 16, Brush Assembly 18)

